



INSTRUCTION MANUAL

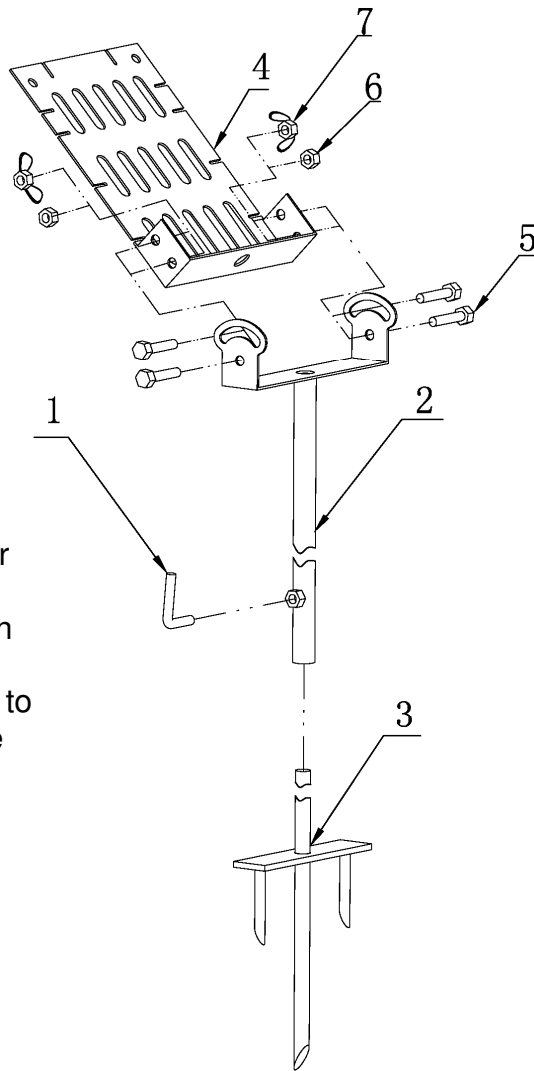
PORTABLE GAME CAMERA MOUNT (Model # 02-MKGCAM-001)

INSTRUCTIONS

- 1.) Verify all components are present.
- 2.) Assemble the holder as shown.
- 3.) Mount the Camera using the mounting hardware or straps provided with the Camera.
- 4.) Find your desired location and press the Ground Stake firmly into the ground.
- 5.) Adjust the height and angle of the Camera Holder.
- 6.) Verify all hardware is tight and secure.

INSTALLATION HINTS

- * Don't point the camera directly towards the sun.
- * Read the Camera manufacturers instructions for proper positioning and mounting.
- * Find firm ground and a secluded area to position the camera holder.
- * It may be necessary to use alternative methods to ensure the Camera Holder and Camera is secure and safe.



02-MKGCAM-001			
Item	Part Number	Description	Qty.
1	MK093-3001	M8 L-Bolt	1
2	MK093-3100	T-Bracket	1
3	MK093-3300	Ground Stake	1
4	MK093-3200	Camera Holder	1
5	10080162B	M8 x 16mm Hex Head Bolt	4
6	40080002B	M8 Nut	2
7	42080002B	M8 Wing Nut	2

For prompt replacement of any missing or damaged parts, please call Direct Outdoor Products at: 877-284-9005 (reference model # 02-MKGCAM-001)

DIRECT OUTDOOR PRODUCTS
 11500 South Pipeline Road
 Ft. Worth, TX 76040
 Phone: 1-877-284-9005
 E-mail: customerservice@directoutdoorproducts.com



LIMITED WARRANTY POLICY

Limited Warranty Periods

- **Hunting Equipment:** 1 Year (12 months) from the date of purchase.
- **Trailer Products:** 1 Year (12 months) from the original date of purchase.
- **Hydraulic Cylinders, Rams, Hose Assemblies, and Fittings:** 2 Years (24 months) from the date of purchase.
- **Sub-component Items:** Many sub-component items are warranted separately by the respective manufactures and are covered by warranty of their manufacturer. Examples of such items may include safety harnesses and tie-down systems, wheels, tires, axles, bearings, lights, straps, chain, hardware and like items. The sub-components original manufactures product warranty supersedes and takes precedence over this limited warranty policy.

NOTE: ALL WARRANTY CLAIMS MUST BE PREAPPROVED BY THE MANUFACTURER (THE COMPANY) TO BE VALID.

Products are warranted to be free of defects in materials and/or workmanship for the warranty period. Under this limited warranty, the Company shall be limited to repairing or replacing, at its option, for the warranty period, those parts returned to the factory, freight prepaid, which in the opinion of the Company shall prove to be defective in materials or workmanship, under normal use and service. This warranty will not apply unless the product is installed, used and maintained in accordance with the Manufacturers installation, operation and maintenance instructions.

This warranty applies to the **ORIGINAL** purchaser only, and is non-transferable. The Company warrants the products to be free of defects in material and workmanship but, does not cover normal maintenance or adjustments, damage or malfunction caused by: improper handling, installation, abuse, misuse, negligence, carelessness of operation or normal wear and tear. In addition, this warranty does not cover equipment when repairs or alterations have been made or attempted without the express written consent of the company. Product repairs not covered by the warranty, and product updates, will be provided at the prevailing rate.

The Company is not responsible for damage caused by accident, negligence, abuse, overloading, misapplication, or misuse of the products. It is solely the purchaser's responsibility to determine the suitability of these products for the particular application. **Limitations:** All other obligations or liabilities, including incidental or consequential damages or contingent liabilities arising out of the failure of any parts to operate properly are hereby excluded, including but not limited to any damages resulting from loss of use, inconvenience, loss of time, commercial loss, or any other type of damages general or specific, foreseen or unforeseen, unless applicable state law provides otherwise.

THIS WARRANTY IS EXCLUSIVE AND IS LIEU OF ALL OTHER WARRANTIES EXPRESSED OR IMPLIED INCLUDING ANY IMPLIED WARRANTY OR MERCHANTABILITY OR ANY IMPLIED WARRANTY OF FITNESS FROM A PARTICULAR PURPOSE, AND ALL SUCH IMPLIED WARRANTIES ARE EXPRESSLY EXCLUDED.

THE REMEDIES DESCRIBED ARE EXCLUSIVE AND IN NO EVENT SHALL THE COMPANY, NOR ANY SALES AGENT OR OTHER COMPANIES AFFILIATED WITH IT OR THEM, BE LIABLE FOR SPECIAL CONSEQUENTIAL OR INCIDENTAL DAMAGES FOR THE BREACH OF OR DELAY IN PERFORMANCE OF THIS WARRANTY. THIS INCLUDES, BUT IS NOT LIMITED TO, LOSS OF PROFIT, RENTAL OR SUBSTITUTE EQUIPMENT OR OTHER COMMERCIAL LOSS.

This warranty shall be governed by the laws of the State of Texas, and shall be subject to the exclusive jurisdiction of the Court in the State of Texas in the County of Tarrant.

RETURNS: Products may not be returned without written approval (Return Material Authorization) from the Company.

Rev04152008

Direct Outdoor Products, Drop Tail Trailers, United Hydraulics, LLC

