



INSTRUCTION MANUAL

FOR THE SAFE ASSEMBLY AND USE OF YOUR:

MARKSMAN 15' 2-MAN LADDERSTAND

02-MKLS02-B15

WARNING:

THE MAXIMUM WEIGHT CAPACITY OF THIS STAND IS 500 POUNDS*

*The maximum carrying capacity of 500 lbs is defined as the total combined weight of the hunters, weapons, backpacks, and any other gear carried aloft.

CAUTION:

- ⊕ WATCH THE ENCLOSED SAFETY DVD BEFORE ATTEMPTING TO ASSEMBLE OR USE THIS PRODUCT.
- ⊕ PLEASE COMPLETELY READ AND FOLLOW THIS SAFETY MANUAL, ALL WARNING LABELS, AND ALL INCLUDED INSTRUCTIONAL MATERIAL BEFORE ASSEMBLING, INSTALLING, OR USING THIS PRODUCT.
- ⊕ KEEP THIS MANUAL IN A SAFE LOCATION FOR FUTURE REFERENCE

For prompt replacement of any missing or damaged parts, please call **DIRECT OUTDOOR PRODUCTS** at: **877-284-9005** (reference model # 02-MKLS02-B15)

DIRECT OUTDOOR PRODUCTS
11500 South Pipeline Road
Ft. Worth, TX 76040
Phone: 1-877-284-9005
E-mail: customerservice@directoutdoorproducts.com



SAFETY PRECAUTIONS

Please read the following instruction manual and warning labels completely before using this product. Failure to understand and execute the instructions and warnings may result in serious injury or death. In the event of an accident, a rescue plan must be in place and able to be incorporated immediately.

WARNINGS:

WATCH THE ENCLOSED SAFETY VIDEO BEFORE ATTEMPTING TO ASSEMBLE OR USE THIS PRODUCT.

NEVER modify or alter your Tree/Ladder Stand. Improper installation or adjustment may cause serious injury or death. If any parts are missing or damaged, you must only use Direct Outdoor Products™ certified replacement parts. Using any other replacement parts will void product warranty. If you think parts are missing or damaged, **STOP IMMEDIATELY** and contact Direct Outdoor Products' Customer Service Department.

ALWAYS inspect for any damaged or missing pieces after removing all contents from shipping box. **DO NOT** assemble or use this product if any parts are missing or damaged. Using this product with missing or damaged parts may result in serious injury or death.

REMEMBER, falls can occur anytime after leaving the ground!

SECURE the stand to the tree with the two (2) stabilizer straps prior to climbing the ladder! These two (2) ratchet straps must be attached from the ground prior to attempting to climb the ladder!

ALWAYS wear a Fall Arrest system when leaving the ground to hunt in a ladderstand or treestand!

ALWAYS inspect the product and the Fall-Arrest System (FAS) for signs of wear or damage before each use. Also inspect to ensure that all welds, nuts and bolts are secure. Pay special attention to the hardware and webbing to make sure that nothing has been frayed or severed. Contact Direct Outdoor Products™ for replacement parts. Destroy all products that cannot be repaired by the manufacturer and/or exceed the recommended expiration date. The FAS should be discarded and replaced after a fall has occurred.

NEVER exceed the maximum capacity of 500 lbs. Including accessories, gear, and attire. Exceeding the tested weight limit of 500 lbs. may result in serious injury or death.

REMEMBER, If two hunters are using the stand, only one hunter should be on the ladder at any time. Both hunters must use a TMA approved Full Body Harness while hunting from this or any elevated platform.

DO NOT use this product under the influence of alcohol, medication (prescription or non-prescription), or any illegal substance. Using this product while under influence of any of these substances may result in serious injury or death.

DO NOT use this product if you have a history of heart problems, back problems, high blood pressure, impaired vision, equilibrium impairments, if you are not physically fit, well rested, and alert, or have been advised by a doctor or other healthcare provider not to climb, or have any condition that would impair your ability to climb. Physical ailments can reduce your ability to safely install, utilize, and remove your stand. Consult a physician prior to use if you are unsure of your physical abilities and limitations.

NEVER fall asleep in your stand as you may fall out resulting in serious injury or death.

NEVER use this product when feeling ill or dizzy!

NEVER raise or lower equipment unless to or from the platform unless you are securely tethered in the stand!

NEVER transport any of your equipment with yourself while ascending or descending the tree. You need to have two free hands during ascent and descent for safety. Use a haul line or hoist rope to pull up your gear, unloaded firearm or bow to your Tree Stand or Ladder Stand once you have reached your desired hunting height. Prior to descending, lower your equipment on the opposite side of the tree you are climbing. Make sure that the unloaded firearm's action is open, safety lock is engaged, and the gun barrel is pointed toward the ground.

NEVER wear jewelry or loose fitting clothing, which can cause hazardous conditions. Clothing may be caught in your equipment and cause you to fall.

NEVER let children play or use this product. This product is not a toy.

ALWAYS have a minimum three people present when installing or removing this product.

NEVER use this product on a dead, leaning, diseased tree or on a utility pole!

NEVER rely on a branch or tree limb for support!

INSPECT your treestand before each use and do not store outdoors when not in use!

SAFETY PRECAUTIONS

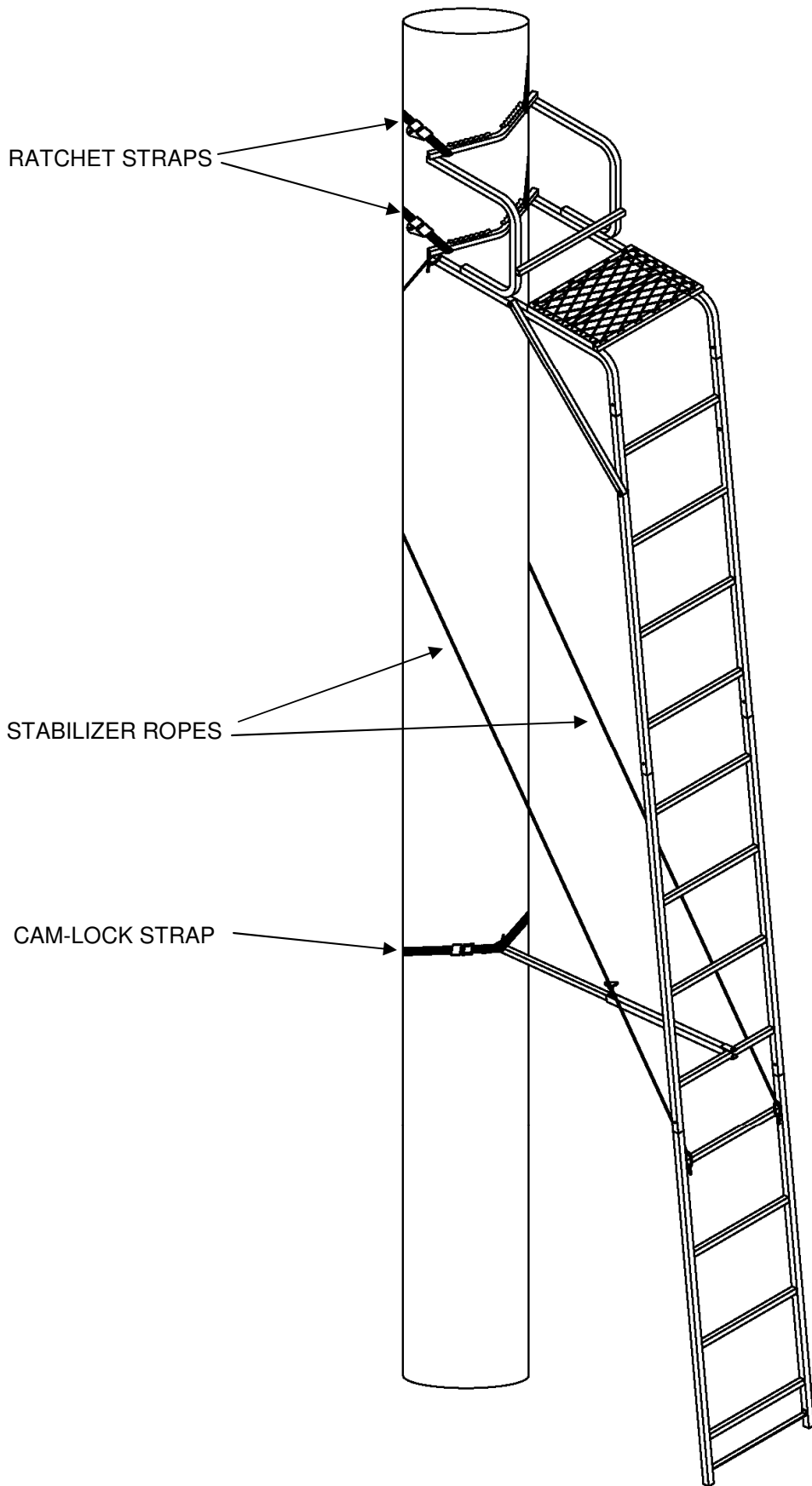
WARNINGS CONTINUED:

- ALWAYS** read and understand these WARNINGS & INSTRUCTIONS before using this product and your FAS each season. Practice at ground level prior to using at elevated positions. Maintain the WARNINGS AND INSTRUCTIONS for later review as needed, or for instructions on usage to anyone borrowing your stand. Use all safety devices provided with this product. Never exceed weight limit specified by the manufacturer. If you have any questions after reviewing the WARNINGS & INSTRUCTIONS, please contact DIRECT OUTDOOR PRODUCTS™.
- ALWAYS** attach your Full Body Harness in the manner and method described by the manufacturer. Failure to do so may result in suspension without the ability to recover into your Tree Stand or Ladder Stand. Beware of hazards associated with Full Body Harnesses and the fact that prolonged suspension in a harness may be fatal. Have a rescue plan in place, including the use of cell phones or signal devices that may be easily reached while suspended. If rescue personnel cannot be notified, you must have a plan for recover/escape. If you have to hang suspended for a period of time before help arrives, exercise your legs by pushing against the tree or some other form of continuous motion. Failure to recover in a timely manner could result in serious injury or death. If you do not have the ability to recover/escape, then hunt from the ground.
- ALWAYS** hunt with a buddy and a plan. Before you leave home, let others know your exact hunting location, when you plan to return and who is with you.
- ALWAYS** carry at least one emergency signal device such as a cell phone, walkie-talkie, whistle, signal flare, personal locator device (PLD), and flashlight on your person at all times and within reach even while you are suspended in your Fall Arrest System. Watch for changing weather conditions that may make hunting from an elevated platform unsafe. In the event of an accident, remain calm and seek help immediately.
- ALWAYS** know your physical limitations. Do not take chances. If you start thinking that you are too high, THEN YOU ARE TOO HIGH! Instead, choose a minimum height that will allow for safe, effective, and comfortable hunting.
- NEVER** use this product for any use other than hunting. DIRECT OUTDOOR PRODUCTS™ Tree Stands, Ladder Stands, and Climbing Sticks are designed for hunters to use while wearing a Full Body Harness. If you are not completely comfortable and confident with your ability to safely install, ascend, descend and hunt using a Full Body Safety Harness and this product, then **DO NOT PROCEED!**
- NEVER** lend this product to anyone unless they have watched the Safety DVD, read the manual, and fully understand the instructions and warnings provided.
- NEVER** use during inclement weather. DO NOT use during thunderstorms or any other weather conditions that include (but not limited to) lightning, high wind, freezing rain. Your stand must always be free from moisture, mud, frost, snow, ice or any other slippery surface that may compromise your safety and potentially create dangerous conditions.
- NEVER** adjust your stand while in use. Always ensure that you and your ladder stand are safely secured to a healthy tree. A checklist for selecting a safe tree is also included in the instructions. Your Tree Stand / Ladder Stand must be attached tightly to the tree and secured in place. If the stand is not secure, it may shift while in use and may result in serious injury or death.
- NEVER** jump on the platform or ladder except when bouncing on the first ladder rung to set the ladder in the ground!
- NEVER** stand on the seat, arm rest, or gun rest!
- CHECK** every ladder section connection every time you use the stand!
- ALWAYS** maintain three (3) points of contact with the ladder when climbing up or down!
- ALWAYS** lean forward or lean into the ladder when climbing up or down!

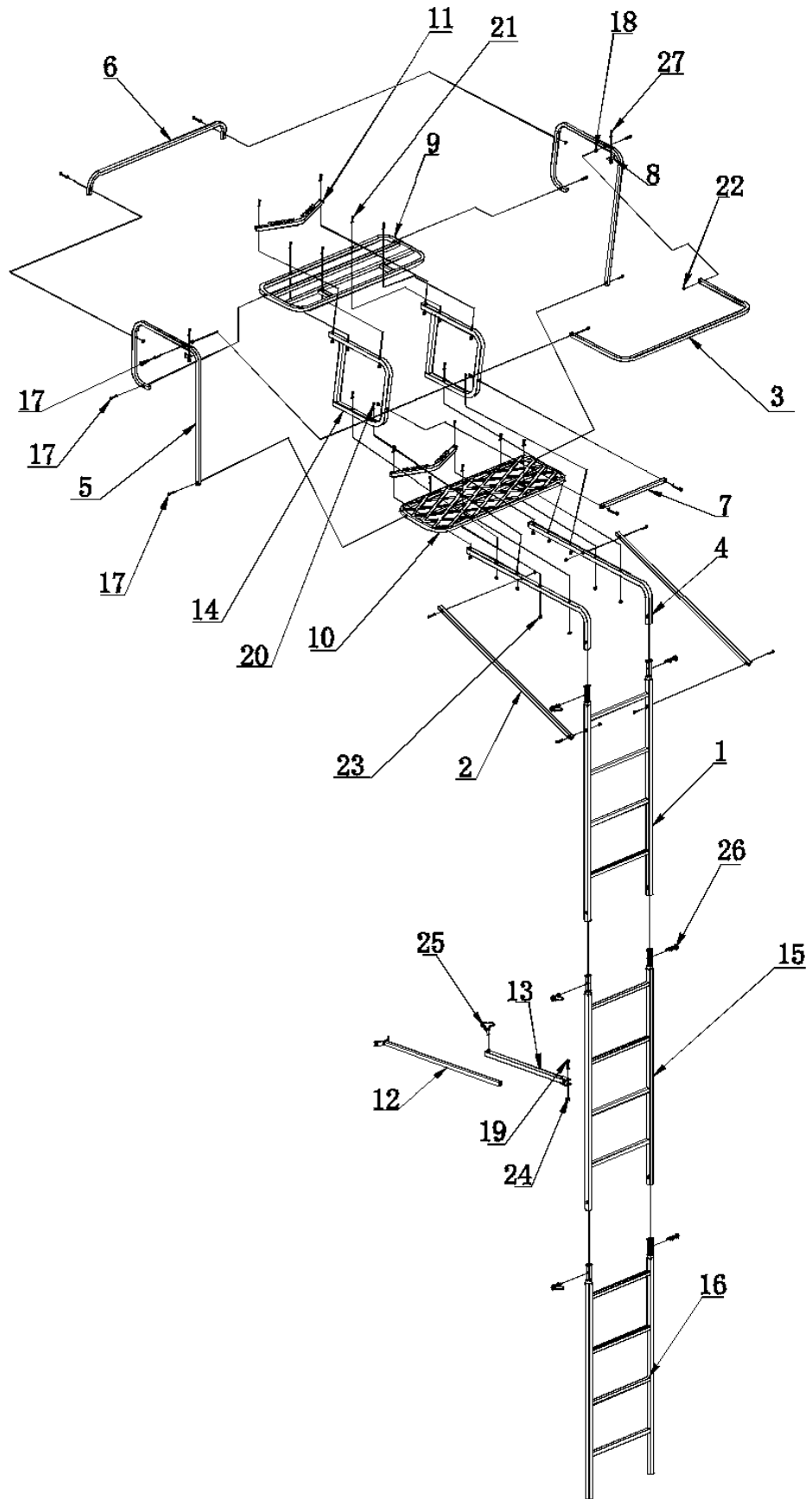
ASSEMBLY AND INSTALLATION INSTRUCTIONS

1. DO NOT attempt to assemble and install this Ladder Stand before reading and understanding this entire manual and watching and understanding the included instructional DVD.
2. AT LEAST 3 people are required to install the Ladder Stand!
3. Examine the shipping box for damage.
4. Unpack all components and place on a clean surface.
5. Using the parts list on page 7, verify that all components are present.
6. Assemble the ladder sections with the quick clips according to the diagram on page 6 and set aside.
7. Assemble the platform section with the hardware shown on page 6.
8. Attach the platform section to the ladder section with quick clips and the hardware shown on page 6.
9. Locate a living, healthy, straight tree that is between 9" and 20" in diameter.
10. Ensure that there are no vines, tree branches, or other obstructions present that would interfere with the safe installation and use of the ladder.
11. Clear away from the base of the tree any leaves, tree limbs and debris of any kind.
12. Check the ground under the stand to ensure it is firm and level.
13. Place the assembled ladder stand on the ground with the bottom ladder section 2' to 3' from the base of the tree.
14. Tie the 2 STABILIZER ROPES to the SEAT PLATFORM as shown on page 5.
15. Using two or more people, lift the platform end of the stand and walk toward the tree while raising the stand. Continue until the platform section is raised to full height and is resting securely against the tree trunk.
16. Attach the HORIZONTAL SUPPORT BAR assembly to the ladder using the hardware shown on page 6. The bar should be attached 5' to 7' from the ground.
17. Adjust the stand for level, move the HORIZONTAL SUPPORT BAR against the tree trunk and secure with the FLUTED KNOB SCREW .
18. Secure the horizontal bar to the tree with the CAM-LOCK STRAP as shown in the picture on page 5.
19. Cross the 2 STABILIZER ROPES behind the tree trunk and secure to either side of the ladder as shown on page 5.
20. **NOTE!** The 2 STABILIZER ROPES and the HORIZONTAL SUPPORT BAR must be attached and secured before climbing to the platform!
21. **STOP! Before proceeding you must put on a TMA approved Full-Body-Harness!**
22. **REMEMBER!** A SUSPENSION RELIEF DEVICE must be on your person and readily accessible!
23. **REMEMBER!** If a fall occurs DO NOT PANIC! Recall and use your personal self recovery plan!
24. Climb to the top of the ladder WHILE TWO PEOPLE HOLD AND STABILIZE THE LADDER AT GROUND LEVEL! Carry a haul line up the ladder.
25. Upon reaching the top of the ladder, secure the Body Harness tether to the tree with the supplied tree strap. Refer to the Body Harness Manufacturer's instruction for proper use of the Body Harness.
26. **REMEMBER!** The length of the harness must be minimized at all times!
27. **NEVER** allow the tether strap to get under your chin or around your neck!
28. Using the haul line, lift the remaining attachment straps to the platform.
29. Secure the Seat Platform to the tree with the RATCHET STRAP as shown on page 5.
30. Attach the SEAT CUSHION, ARM REST COVERS, and the SHOOTING RAIL COVER.
31. Your stand is now ready for use.
32. ALWAYS inspect your Ladder Stand before each use. Ensure that there are no cracks, loose bolts, loose or frayed attachment straps, deterioration, or any other signs of wear that might make the stand unsafe to use!
33. If replacement parts are needed, only use DIRECT OUTDOOR PRODUCTS™ parts.
34. Always put on a TMA approved Full Body Harness before you leave the ground.
35. Practice using the Full Body Harness at ground level and in low light conditions with your hunting gear prior to climbing to hunt at an elevated height.

ATTACHMENT STRAP DETAIL



ASSEMBLY DIAGRAM



PARTS LIST

02-MKLS02-B15

ITEM #	PART #	DESCRIPTION	QTY
1	MK031-1800	TOP LADDER SECTION	1
2	MK031-1002	PLATFORM SUPPORT TUBE	2
3	MK031-1003	SHOOTING RAIL	1
4	MK031-1004	PRIMARY PLATFORM SUPPORT TUBE	2
5	MK031-1005	ARM REST	2
6	MK031-1006	REAR SUPPORT BAR	1
7	MK031-1007	HORIZONTAL SUPPORT BAR	1
8	MK031-1008	SHOOTING RAIL STOP CLIP	2
9	MK031-1100	SEAT PLATFORM	1
10	MK031-1200	FOOT PLATFORM	1
11	MK031-1300	TREE CLAW	2
12	MK031-1400	HORIZONTAL SUPPORT BAR A	1
13	MK031-1500	HORIZONTAL SUPPORT BAR B	1
14	MK031-1600	SEAT PLATFORM SUPPORT	2
15	MK031-1700	MIDDLE LADDER SECTION	1
16	MK031-1710	BOTTOM LADDER SECTION	1
17	10060502B	M6 x 50MM HEX-HEAD-BOLT	8
18	31080002B	M8 POLYMER WASHER	2
19	10080452B	M8 x 45MM HEX-HEAD-BOLT	1
20	10080652B	M8 x 65MM HEX-HEAD-BOLT	4
21	10080602B	M8 x 60MM HEX-HEAD-BOLT	18
22	41060002B	M6 LOCK NUT	10
23	41080002B	M8 LOCK NUT	22
24	42080002B	M8 WING NUT	1
25	92080202W	M8 x 20MM FLUTED KNOB SCREW	1
26	HE032-2702	M6 x 50MM QUICK CLIP	6
27	10060302B	M6 x 30MM HEX-HEAD-BOLT	2
	02-BHFAS1-010	BODY HARNESS / FALL ARREST SYSTEM	2
	MK021-1401	CAM-LOCK STRAP, 6'	1
	MK011-1601	RATCHET STRAP, 6'	2
	MK034-4501	STABILIZER ROPE, 16'	2
	MK031-1901	SEAT CUSHION	1
	MK031-1902	SHOOTING RAIL COVER	1
	99-SAFE09-DVD	SAFE TREESTAND HUNTING DVD	1
	02-MKLS02-BMAN	INSTRUCTION MANUAL	1

LIMITED WARRANTY POLICY

Limited Warranty Periods

- **Hunting Equipment:** 1 Year (12 months) from the date of purchase.
- **Trailer Products:** 1 Year (12 months) from the original date of purchase.
- **Hydraulic Cylinders, Rams, Hose Assemblies, and Fittings:** 2 Years (24 months) from the date of purchase.
- **Sub-component Items:** Many sub-component items are warranted separately by the respective manufactures and are covered by warranty of their manufacturer. Examples of such items may include safety harnesses and tie-down systems, wheels, tires, axles, bearings, lights, straps, chain, hardware and like items. The sub-components original manufactures product warranty supersedes and takes precedence over this limited warranty policy.

NOTE: ALL WARRANTY CLAIMS MUST BE PREAPPROVED BY THE MANUFACTURER (THE COMPANY) TO BE VALID.

Products are warranted to be free of defects in materials and/or workmanship for the warranty period. Under this limited warranty, the Company shall be limited to repairing or replacing, at its option, for the warranty period, those parts returned to the factory, freight prepaid, which in the opinion of the Company shall prove to be defective in materials or workmanship, under normal use and service. This warranty will not apply unless the product is installed, used and maintained in accordance with the Manufacturers installation, operation and maintenance instructions.

This warranty applies to the **ORIGINAL** purchaser only, and is non-transferable. The Company warrants the products to be free of defects in material and workmanship but, does not cover normal maintenance or adjustments, damage or malfunction caused by: improper handling, installation, abuse, misuse, negligence, carelessness of operation or normal wear and tear. In addition, this warranty does not cover equipment when repairs or alterations have been made or attempted without the express written consent of the company. Product repairs not covered by the warranty, and product updates, will be provided at the prevailing rate.

The Company is not responsible for damage caused by accident, negligence, abuse, overloading, misapplication, or misuse of the products. It is solely the purchaser's responsibility to determine the suitability of these products for the particular application. **Limitations:** All other obligations or liabilities, including incidental or consequential damages or contingent liabilities arising out of the failure of any parts to operate properly are hereby excluded, including but not limited to any damages resulting from loss of use, inconvenience, loss of time, commercial loss, or any other type of damages general or specific, foreseen or unforeseen, unless applicable state law provides otherwise.

THIS WARRANTY IS EXCLUSIVE AND IS LIEU OF ALL OTHER WARRANTIES EXPRESSED OR IMPLIED INCLUDING ANY IMPLIED WARRANTY OR MERCHANTABILITY OR ANY IMPLIED WARRANTY OF FITNESS FROM A PARTICULAR PURPOSE, AND ALL SUCH IMPLIED WARRANTIES ARE EXPRESSLY EXCLUDED.

THE REMEDIES DESCRIBED ARE EXCLUSIVE AND IN NO EVENT SHALL THE COMPANY, NOR ANY SALES AGENT OR OTHER COMPANIES AFFILIATED WITH IT OR THEM, BE LIABLE FOR SPECIAL CONSEQUENTIAL OR INCIDENTAL DAMAGES FOR THE BREACH OF OR DELAY IN PERFORMANCE OF THIS WARRANTY. THIS INCLUDES, BUT IS NOT LIMITED TO, LOSS OF PROFIT, RENTAL OR SUBSTITUTE EQUIPMENT OR OTHER COMMERCIAL LOSS.

This warranty shall be governed by the laws of the State of Texas, and shall be subject to the exclusive jurisdiction of the Court in the State of Texas in the County of Tarrant.

RETURNS: Products may not be returned without written approval (Return Material Authorization) from the Company.