



INSTRUCTION MANUAL

DELUXE TREE SEAT (Model # 02-MKSEAT-001)

THE MAXIMUM WEIGHT CAPACITY OF THIS SEAT IS 300 POUNDS*

WARNING:

- THIS TREE SEAT IS DESIGNED TO ONLY BE USED AT A HEIGHT THAT ALLOWS THE USER'S FEET TO BE ON THE GROUND AT ALL TIMES!
- **USE AS A GROUND SEAT ONLY**, FAILURE TO FOLLOW THESE INSTRUCTIONS MAY RESULT IN SERIOUS INJURY OR DEATH
- **DO NOT** EXCEED FIELD RATING OF 300 LBS.!
- **NEVER** ATTACH THE SEAT TO A DEAD, DISEASED, OR LOOSE-BARKED TREE!
- **NEVER** STAND ON THE SEAT, IT IS DESIGNED FOR SITTING ONLY!
- **NEVER** JUMP OR BOUNCE ON THE GROUND SEAT.
- **ONLY** TO BE USED ON TREES WITH A DIAMETER BETWEEN **8" - 20"**.
- KEEP THIS MANUAL IN A SAFE LOCATION FOR FUTURE REFERENCE.

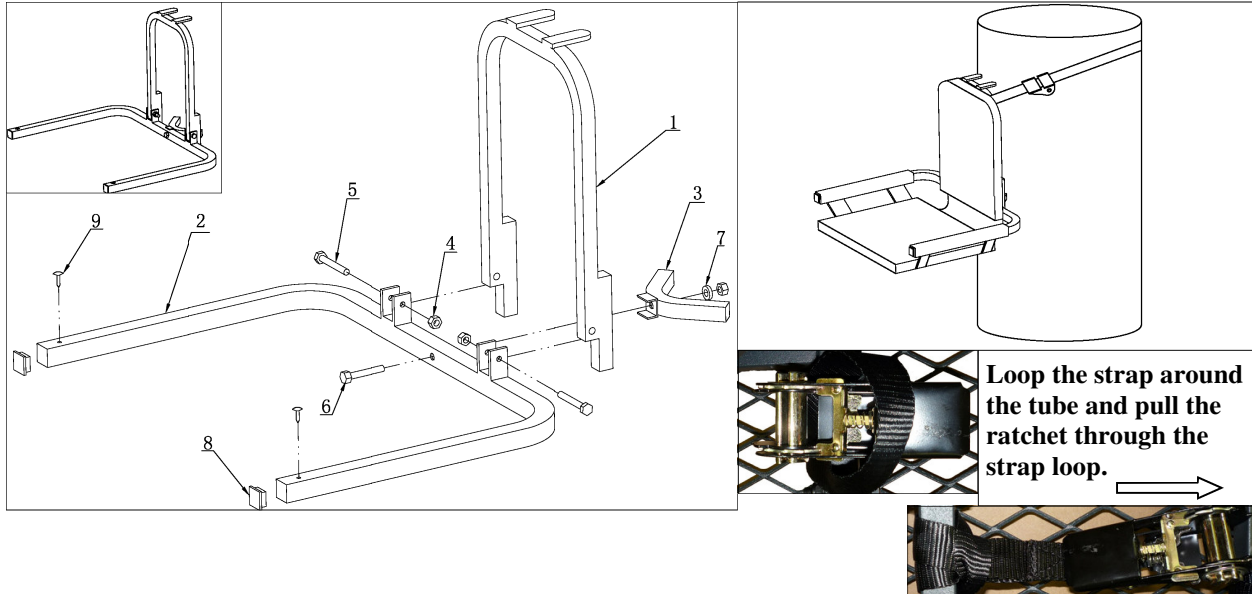
For prompt replacement of any missing or damaged parts, please call Direct Outdoor Products at: 877-284-9005 (reference model # 02-MKSEAT-001)

DIRECT OUTDOOR PRODUCTS
11500 South Pipeline Road
Ft. Worth, TX 76040
Phone: 1-877-284-9005
E-mail: customerservice@directoutdoorproducts.com



ASSEMBLY INSTRUCTIONS

1. Attach the **Tree Claw** to the **Seat Support Frame** (Items 2 & 3) using (1) M6 x 60mm Hex Head Bolt, washer, and nut (Items 4, 6, & 7).
2. Attach the **Back Support Frame** (Item 1) to the **Seat Support Frame** (Item 2) using (2) M6 x 40mm Hex Head Bolts and nuts (Items 4 & 5).
3. Attach the (2) **Arm Rest Covers** (Item 11) to the **Seat Support Frame**.
4. Attach the **Seat & Backrest Cushion** (Item 10) to the **Seat & Back Support Frame** assembly.



SETUP INSTRUCTIONS

- A.)** Once the seat is completely assembled, it can be secured to the tree using the **6' Ratchet Strap**.
1. Attach the **Ratchet** portion of the strap by looping the strap around the **Back Support Frame** and pulling the **Ratchet** through the strap loop.
 2. Attach the **Long** portion of the strap by looping the strap around the opposite side and pulling the strap through the strap loop.
 3. Standing on the ground, wrap the **Long** end of the strap around the tree and feed it through the **Ratchet** mechanism. Pull the slack out and "**Ratchet**" tight to the tree.
 4. Make sure all (4) contact points of the seat frames are touching the tree.
 5. Always test before sitting, and re-adjust if needed.
 6. Reverse setup procedures to take the tree seat down.

02-MKSEAT-001

Item	Part#	Description	Qty.
1	MK111-1100	Back Support Frame	1
2	MK111-1200	Seat Support Frame	1
3	MK111-1300	Tree Claw	1
4	41060002B	M6 Lock Nut	3
5	10060402B	M6 x 40mm Hex Head Bolt	2
6	10060602B	M6 x 60mm Hex Head Bolt	1
7	30060012B	Flat Washer ϕ 6mm	1
8	91250032B	Plastic End Cap, 25mm Square	2
9	25050122B	M5 x 12mm Phillips Pan Head Screw	2
10	MK111-1401	Seat & Back Cushion	1
11	MK111-1402	Arm Rest Cover	2
12	MK011-1601	Ratchet Strap, 6'	1

LIMITED WARRANTY POLICY

Limited Warranty Periods

- **Hunting Equipment:** 1 Year (12 months) from the date of purchase.
- **Trailer Products:** 1 Year (12 months) from the original date of purchase.
- **Hydraulic Cylinders, Rams, Hose Assemblies, and Fittings:** 2 Years (24 months) from the date of purchase.
- **Sub-component Items:** Many sub-component items are warranted separately by the respective manufactures and are covered by warranty of their manufacturer. Examples of such items may include safety harnesses and tie-down systems, wheels, tires, axles, bearings, lights, straps, chain, hardware and like items. The sub-components original manufactures product warranty supersedes and takes precedence over this limited warranty policy.

NOTE: ALL WARRANTY CLAIMS MUST BE PREAPPROVED BY THE MANUFACTURER (THE COMPANY) TO BE VALID.

Products are warranted to be free of defects in materials and/or workmanship for the warranty period. Under this limited warranty, the Company shall be limited to repairing or replacing, at its option, for the warranty period, those parts returned to the factory, freight prepaid, which in the opinion of the Company shall prove to be defective in materials or workmanship, under normal use and service. This warranty will not apply unless the product is installed, used and maintained in accordance with the Manufacturers installation, operation and maintenance instructions.

This warranty applies to the **ORIGINAL** purchaser only, and is non-transferable. The Company warrants the products to be free of defects in material and workmanship but, does not cover normal maintenance or adjustments, damage or malfunction caused by: improper handling, installation, abuse, misuse, negligence, carelessness of operation or normal wear and tear. In addition, this warranty does not cover equipment when repairs or alterations have been made or attempted without the express written consent of the company. Product repairs not covered by the warranty, and product updates, will be provided at the prevailing rate.

The Company is not responsible for damage caused by accident, negligence, abuse, overloading, misapplication, or misuse of the products. It is solely the purchaser's responsibility to determine the suitability of these products for the particular application. **Limitations:** All other obligations or liabilities, including incidental or consequential damages or contingent liabilities arising out of the failure of any parts to operate properly are hereby excluded, including but not limited to any damages resulting from loss of use, inconvenience, loss of time, commercial loss, or any other type of damages general or specific, foreseen or unforeseen, unless applicable state law provides otherwise.

THIS WARRANTY IS EXCLUSIVE AND IS LIEU OF ALL OTHER WARRANTIES EXPRESSED OR IMPLIED INCLUDING ANY IMPLIED WARRANTY OR MERCHANTABILITY OR ANY IMPLIED WARRANTY OF FITNESS FROM A PARTICULAR PURPOSE, AND ALL SUCH IMPLIED WARRANTIES ARE EXPRESSLY EXCLUDED.

THE REMEDIES DESCRIBED ARE EXCLUSIVE AND IN NO EVENT SHALL THE COMPANY, NOR ANY SALES AGENT OR OTHER COMPANIES AFFILIATED WITH IT OR THEM, BE LIABLE FOR SPECIAL CONSEQUENTIAL OR INCIDENTAL DAMAGES FOR THE BREACH OF OR DELAY IN PERFORMANCE OF THIS WARRANTY. THIS INCLUDES, BUT IS NOT LIMITED TO, LOSS OF PROFIT, RENTAL OR SUBSTITUTE EQUIPMENT OR OTHER COMMERCIAL LOSS.

This warranty shall be governed by the laws of the State of Texas, and shall be subject to the exclusive jurisdiction of the Court in the State of Texas in the County of Tarrant.

RETURNS: Products may not be returned without written approval (Return Material Authorization) from the Company.

Direct Outdoor Products, Drop Tail Trailers, United Hydraulics, LLC

Rev04152008

