



## INSTRUCTION MANUAL

FOR THE SAFE ASSEMBLY AND USE OF YOUR:

### **MARKSMAN - 13' TRIPOD STAND**

Model # 02 - MKTR1 - 013

#### **WARNING:**

**THE MAXIMUM WEIGHT CAPACITY OF THIS STAND IS 300 POUNDS\***

\*The maximum carrying capacity of 300 lbs is defined as the total combined weight of the hunter, weapon, backpack, and any other gear carried aloft.

#### **CAUTION:**

- ⊕ WATCH THE ENCLOSED SAFETY DVD BEFORE ATTEMPTING TO ASSEMBLE OR USE THIS PRODUCT.
- ⊕ PLEASE COMPLETELY READ AND FOLLOW THIS SAFETY MANUAL, ALL WARNING LABELS, AND ALL INCLUDED INSTRUCTIONAL MATERIAL BEFORE ASSEMBLING, INSTALLING, OR USING THIS PRODUCT.
- ⊕ KEEP THIS MANUAL IN A SAFE LOCATION FOR FUTURE REFERENCE

For prompt replacement of any missing or damaged parts, please call **DIRECT OUTDOOR PRODUCTS** at: **877-284-9005** (reference model # 02-MKTR1-013)

DIRECT OUTDOOR PRODUCTS  
11500 South Pipeline Road  
Ft. Worth, TX 76040  
Phone: 1-877-284-9005  
E-mail: [customerservice@directoutdoorproducts.com](mailto:customerservice@directoutdoorproducts.com)



## SAFETY PRECAUTIONS

Please read the following instruction manual and warning labels completely before utilizing this product. Failure to understand and execute the instructions and warnings may result in serious injury or death. In the event of an accident, a rescue plan must be in place and able to be incorporated immediately.

### WARNINGS:

- **WATCH THE ENCLOSED SAFETY VIDEO BEFORE ATTEMPTING TO ASSEMBLE OR USE THIS PRODUCT.**
- **REMEMBER**, falls can occur anytime after leaving the ground!
- **NEVER** modify or alter your Tripod Stand. Improper installation or adjustment may cause serious injury or death. If any parts are missing or damaged, you must only use Direct Outdoor Products™ certified replacement parts. Using any other replacement parts will void product warranty. If you think parts are missing or damaged, **STOP IMMEDIATELY** and contact Direct Outdoor Product's Customer Service Department.
- **ALWAYS** use at least three (3) people to install, take-down, or relocate your tripod stand!
- **ALWAYS** inspect for any damaged or missing pieces after removing all contents from shipping box. DO NOT assemble or use this product if any parts are missing or damaged. Using this product with missing or damaged parts may result in serious injury or death.
- **ALWAYS** inspect the product for signs of wear or damage before each use. Also inspect to ensure that all welds, nuts and bolts are secure. Contact Direct Outdoor Products™ for replacement parts. Destroy all products that cannot be repaired by the manufacturer.
- **NEVER** use with a second person. This product is designed for only ONE person.
- **NEVER** exceed the maximum capacity of 300 lbs. Including accessories, gear, and attire. Exceeding the tested weight limit of 300 lbs. may result in serious injury or death.
- **DO NOT** use this product under the influence of alcohol, medication (prescription or non-prescription), or any illegal substance. Using this product while under influence of any of these substances may result in serious injury or death.
- **DO NOT** use this product if you have a history of heart problems, back problems, high blood pressure, impaired vision, equilibrium impairments, if you are not physically fit, well rested, and alert; Or have been advised by a doctor or other healthcare provider not to climb, or have any condition that would impair your ability to climb. Physical ailments can reduce your ability to safely install, utilize, and remove your product. Please consult a physician prior to use.
- **NEVER** use this tripod stand while feeling ill or dizzy!
- **NEVER** fall asleep in your stand as you may fall out resulting in serious injury or death.
- **NEVER** transport any of your equipment with yourself while ascending or descending the stand. You need to have two free hands during ascent and descent for safety. Use a haul line or hoist rope to pull up your gear, unloaded firearm or bow to your Tripod Stand once you have reached your desired hunting height. Prior to descending, lower your equipment on the opposite side of the stand from the ladder. Make sure that the unloaded firearm's action is open, the safety lock is engaged, and the gun barrel is pointed toward the ground.
- **NEVER** wear jewelry or loose fitting clothing, which can cause hazardous conditions. Clothing may be caught in your equipment and cause you to fall.
- **NEVER** let children play or use this product. This product is not a toy.
- **ALWAYS** have a minimum three people present when installing or removing this product.
- **ALWAYS** read and understand these WARNINGS & INSTRUCTIONS before using this product each season. Maintain the WARNINGS & INSTRUCTIONS for later review as needed, for instructions on usage to anyone borrowing your stand. Use all safety devices provided with this product. Never exceed weight limit specified by the manufacturer. If you have any questions after reviewing the WARNINGS & INSTRUCTIONS, please contact DIRECT OUTDOOR PRODUCTS™.

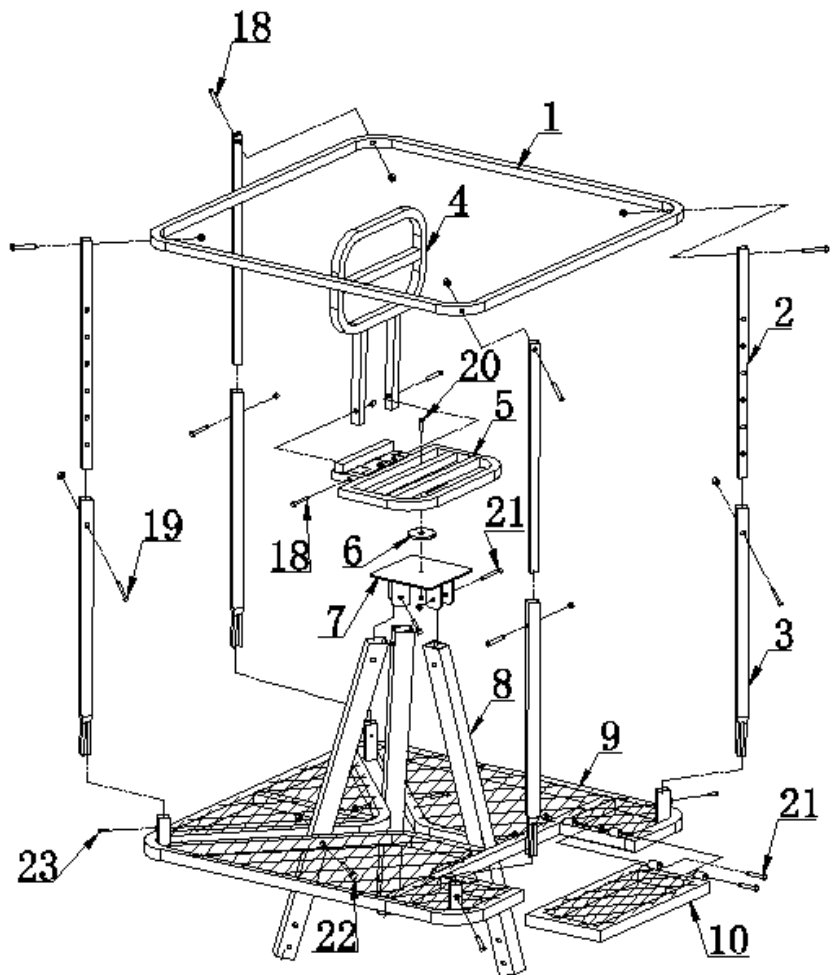
# SAFETY PRECAUTIONS

## WARNINGS CONTINUED:

- **ALWAYS** hunt with a buddy and a plan. Before you leave home, let others know your exact hunting location, when you plan to return & who is with you.
- **ALWAYS** carry at least one emergency signal device such as a cell phone, walkie-talkie, whistle, signal flare, personal locator device (PLD), and flashlight on your person at all times and within reach. Watch for changing weather conditions that may make hunting from an elevated platform unsafe. In the event of an accident, remain calm and seek help immediately.
- **ALWAYS** know your physical limitations. Don't take chances. If you start thinking that you are too high, THEN YOU ARE TOO HIGH! Instead, return to ground level and hunt there.
- **NEVER** lend this product to anyone unless they have watched the Safety DVD, read the manual, and fully understand the instructions and warnings provided.
- **NEVER** use during inclement weather. DO NOT use during thunderstorms or any other weather conditions that include (but not limited to) lightning, high wind, or freezing rain. Your product must always be free from moisture, mud, frost, snow, ice or any other slippery surface that may compromise your safety and could potentially create dangerous conditions.
- **DO NOT** install this Tripod Stand in standing or running water!
- **ALWAYS** check and confirm that the soil under the stand is stable, firm, and level!
- **DO NOT** leave this Tripod Stand outdoors for an extended period of time. When not in use store in a cool, dry place.
- **ALWAYS** check every ladder section connection every time the stand is used!
- **NEVER** adjust your stand while in use. If the stand is not secure, it may shift while in use, and may result in serious injury or death.
- **NEVER** jump on the platform or ladder!
- **ALWAYS** maintain three (3) points of contact when ascending or descending the ladder!
- **ALWAYS** lean in toward the ladder as you climb!
- **DO NOT** use this stand or any elevated hunting equipment in a careless manner that might contribute to an accidental fall!
- **NEVER** lean over the platform edge!
- **NEVER** stand on the seat, arm rest, or gun rest!
- **NEVER** use this product for trimming trees. This product is to be used for hunting only!
- **ALWAYS** fully inspect any Tripod Stand before each use.
- DIRECT OUTDOOR PRODUCTS™ will not be responsible for any misuse of this product.
- **ALWAYS** read all warnings and instructions before each use of this product. Failure to read all warnings and instructions before each use of this product may result in serious injury or death.
- **INSPECT** your tripod stand before each use and do not store outdoors when not in use!
- **DO NOT** use this Tripod Stand if any bolts or nuts are loose, bent, or crooked.
- DIRECT OUTDOOR PRODUCTS™ Tree Stands, Ladder Stands, Direct Sticks™, and Tripod Stands are designed with your safety being our primary concern. We have invested time to properly design, engineer, manufacture, and test this product's safety. This Tripod Stand will continuously be safe with appropriate equipment, usage, and maintenance followed carefully in this safety and instruction manual.
- **ALWAYS** practice climbing and shooting while wearing hunting clothes. Also practice in low light conditions, which are common while hunting. Before you climb any Tripod Stand, familiarize yourself with the dynamics involved in hunting from extreme heights, performing in every possible condition, and under each probable circumstance. Read the instruction manual and practice with your new product for complete understanding of the working process. Failure to do so may result in serious injury or death!
- **Never remove any safety warning stickers from this product. Safety must be your first priority during the use of this product!**

## ASSEMBLY INSTRUCTIONS

1. Examine shipping box for damage
2. Unpack all components and place on a clean surface
3. Using the parts list on page 5, verify that all components are present
4. Assemble the platform section according to the diagram shown below
5. NOTE: Do not tighten any bolts before all bolts are installed
6. NOTE: Do not use excessive force when tightening bolts. This could result in damage to the structural components
7. Assemble the tripod leg sections as shown on page 6.
8. Attach legs to platform assembly as shown in the diagram on page 6
9. Attach the cross braces to the legs per the diagram on page 6
10. NOTE: Do not attempt to use without all cross brace supports properly installed!
11. Tighten all bolts!
12. Attach seat cushion and back rest cushion
13. Select a level, stable surface to erect stand
14. Use at least three people to move stand upright.
15. Adjust platform to level position using adjustable legs
15. Drive stakes through foot plates

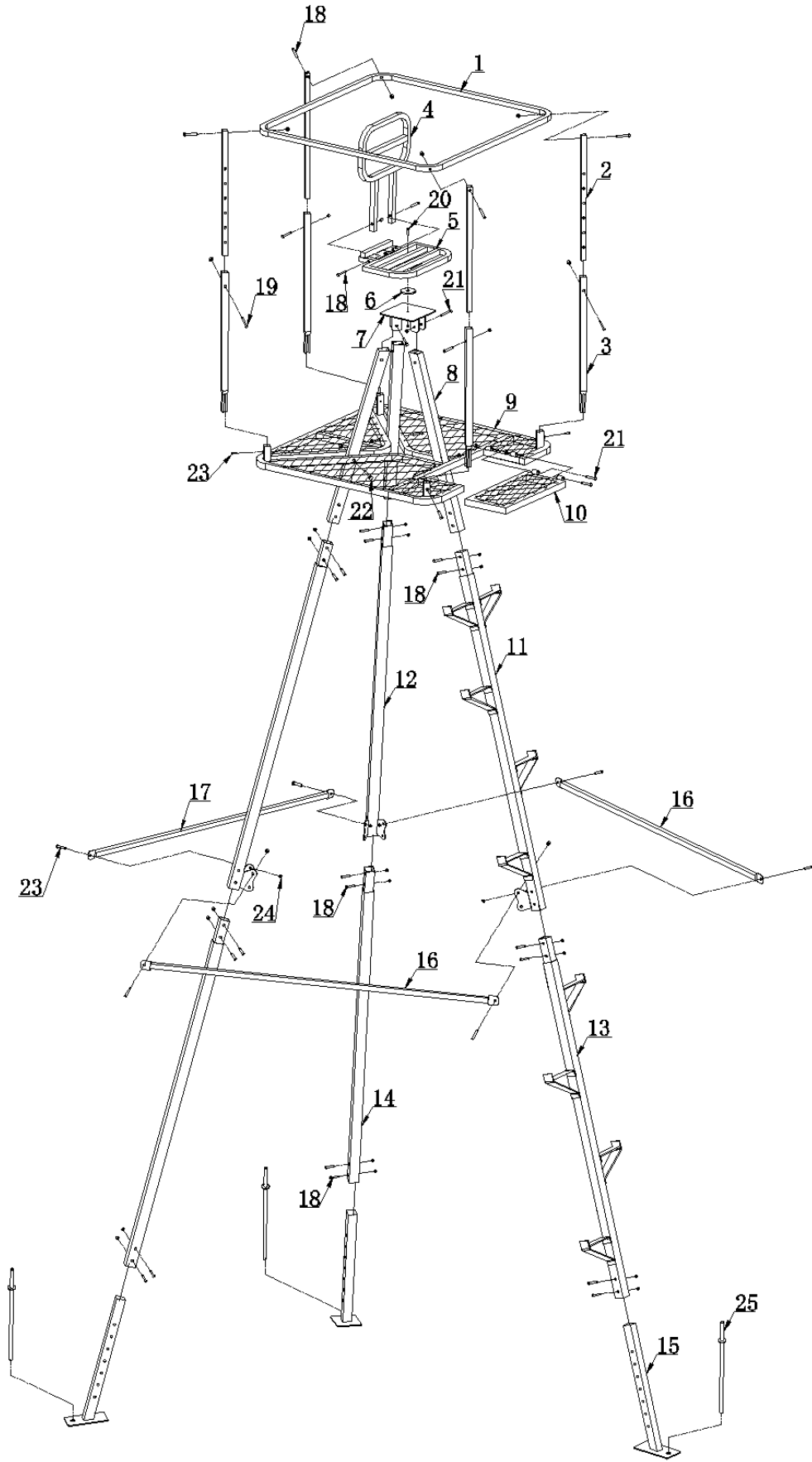


## PARTS LIST

### 02-MKTR1-013

ITEM #	PART #	DESCRIPTION	QTY
1	MK041-1001	SHOOTING RAIL	1
2	MK041-1002	SHOOTING RAIL SUPPORT BAR A	4
3	MK041-1003	SHOOTING RAIL SUPPORT BAR B	4
4	MK041-1110	BACKREST	1
5	MK041-1120	SEAT	1
6	MK041-1007	POLYMER WASHER	1
7	MK041-1130	SEAT PLATFORM	1
8	MK041-1004	TOP LEG SECTION	3
9	MK041-1200	FOOT PLATFORM	1
10	MK041-1300	FOOT PLATFORM GATE	1
11	MK041-1440	MIDDLE LADDER SECTION	1
12	MK041-1430	MIDDLE LEG SECTION	2
13	MK041-1420	BOTTOM LADDER SECTION	1
14	MK041-1410	BOTTOM LEG SECTION	2
15	MK041-1450	ADJUSTABLE FOOT	3
16	MK041-1005	LADDER / LEG BRACE (LONG)	2
17	MK041-1006	LEG BRACE (SHORT)	1
18	10080502B	M8 x 50mm HEX HEAD BOLT	24
19	10080352B	M8 x 35mm HEX HEAD BOLT	4
20	10080252B	M8 x 25mm HEX HEAD BOLT	1
21	10080602B	M8 x 60mm HEX HEAD BOLT	5
22	10081052B	M8 x 105mm HEX HEAD BOLT	3
23	10080202B	M8 x 20mm HEX HEAD BOLT	10
24	41080002B	M8 LOCK NUT	43
25	HE041-1330	LEG STAKE	3
	99-SAFE09-DVD	SAFE TREESTAND HUNTING DVD	1
	02-MKTR13-MAN	INSTRUCTION MANUAL	1
	MK041-1501	SEAT CUSHION	1
	MK041-1502	BACKREST CUSHION	1

# ASSEMBLY DIAGRAM



# LIMITED WARRANTY POLICY

## Limited Warranty Periods

- **Hunting Equipment:** 1 Year (12 months) from the date of purchase.
- **Trailer Products:** 1 Year (12 months) from the original date of purchase.
- **Hydraulic Cylinders, Rams, Hose Assemblies, and Fittings:** 2 Years (24 months) from the date of purchase.
- **Sub-component Items:** Many sub-component items are warranted separately by the respective manufactures and are covered by warranty of their manufacturer. Examples of such items may include safety harnesses and tie-down systems, wheels, tires, axles, bearings, lights, straps, chain, hardware and like items. The sub-components original manufactures product warranty supersedes and takes precedence over this limited warranty policy.

**NOTE: ALL WARRANTY CLAIMS MUST BE PREAPPROVED BY THE MANUFACTURER (THE COMPANY) TO BE VALID.**

Products are warranted to be free of defects in materials and/or workmanship for the warranty period. Under this limited warranty, the Company shall be limited to repairing or replacing, at its option, for the warranty period, those parts returned to the factory, freight prepaid, which in the opinion of the Company shall prove to be defective in materials or workmanship, under normal use and service. This warranty will not apply unless the product is installed, used and maintained in accordance with the Manufacturers installation, operation and maintenance instructions.

This warranty applies to the **ORIGINAL** purchaser only, and is non-transferable. The Company warrants the products to be free of defects in material and workmanship but, does not cover normal maintenance or adjustments, damage or malfunction caused by: improper handling, installation, abuse, misuse, negligence, carelessness of operation or normal wear and tear. In addition, this warranty does not cover equipment when repairs or alterations have been made or attempted without the express written consent of the company. Product repairs not covered by the warranty, and product updates, will be provided at the prevailing rate.

The Company is not responsible for damage caused by accident, negligence, abuse, overloading, misapplication, or misuse of the products. It is solely the purchaser's responsibility to determine the suitability of these products for the particular application. **Limitations:** All other obligations or liabilities, including incidental or consequential damages or contingent liabilities arising out of the failure of any parts to operate properly are hereby excluded, including but not limited to any damages resulting from loss of use, inconvenience, loss of time, commercial loss, or any other type of damages general or specific, foreseen or unforeseen, unless applicable state law provides otherwise.

THIS WARRANTY IS EXCLUSIVE AND IS LIEU OF ALL OTHER WARRANTIES EXPRESSED OR IMPLIED INCLUDING ANY IMPLIED WARRANTY OR MERCHANTABILITY OR ANY IMPLIED WARRANTY OF FITNESS FROM A PARTICULAR PURPOSE, AND ALL SUCH IMPLIED WARRANTIES ARE EXPRESSLY EXCLUDED.

THE REMEDIES DESCRIBED ARE EXCLUSIVE AND IN NO EVENT SHALL THE COMPANY, NOR ANY SALES AGENT OR OTHER COMPANIES AFFILIATED WITH IT OR THEM, BE LIABLE FOR SPECIAL CONSEQUENTIAL OR INCIDENTAL DAMAGES FOR THE BREACH OF OR DELAY IN PERFORMANCE OF THIS WARRANTY. THIS INCLUDES, BUT IS NOT LIMITED TO, LOSS OF PROFIT, RENTAL OR SUBSTITUTE EQUIPMENT OR OTHER COMMERCIAL LOSS.

**This warranty shall be governed by the laws of the State of Texas, and shall be subject to the exclusive jurisdiction of the Court in the State of Texas in the County of Tarrant.**

**RETURNS:** Products may not be returned without written approval (Return Material Authorization) from the Company.