



**RECEIVER HITCH SWIVEL HOIST
MODEL # 02-RH0001-000
SAFETY AND INSTRUCTION MANUAL
FOR ASSEMBLY AND USE**

WEIGHT CAPACITY IS 400 POUNDS*

* User must confirm the weight capacity of the vehicle receiver hitch. Do not exceed the carrying capacity of the vehicle's receiver hitch! This could damage the receiver hitch!

WARNING:

- PLEASE COMPLETELY READ AND FOLLOW THIS SAFETY MANUAL AND ALL WARNING LABELS BEFORE ASSEMBLING, INSTALLING, OR USING THIS PRODUCT.
- IF YOU HAVE QUESTIONS, IF YOU ARE UNSURE ABOUT ANY INFORMATION, OR NEED ADDITIONAL INFORMATION CONCERNING YOUR DIRECT OUTDOOR PRODUCTS™ RECEIVER HITCH SWIVEL HOIST, CONTACT OUR CUSTOMER SERVICE DEPARTMENT.
- KEEP AND MAINTAIN THIS SAFETY & INSTRUCTION MANUAL IN A SAFE LOCATION FOR FUTURE REFERENCE.

DIRECT OUTDOOR PRODUCTS
11500 South Pipeline Road
Ft. Worth, TX 76040
Phone: 1-877-284-9005
E-mail: customerservice@directoutdoorproducts.com
Website: directoutdoorproducts.com





TABLE OF CONTENTS

TOPIC	PAGE
SAFETY PRECAUTIONS	3
ASSEMBLY INSTRUCTIONS FOR USE	4
ASSEMBLY DIAGRAM	5
PARTS LIST	6
WARRANTY INFORMATION	7



SAFETY PRECAUTIONS

Please read the following instruction manual and warnings completely before using this product. Failure to understand and execute the instructions and warnings may result in serious injury or death.

WARNINGS:

NEVER modify or alter your Receiver Hitch Swivel Hoist. Improper installation or adjustment may cause serious injury or death. If any parts are missing or damaged, you must only use Direct Outdoor Products™ certified replacement parts. Using any other replacement parts will void product warranty. If you think parts are missing or damaged, **STOP IMMEDIATELY** and contact Direct Outdoor Products' Customer Service Department.

NEVER exceed the maximum capacity of 400 lbs. It is up to the user to check and determine that their vehicle's receiver hitch is capable of supporting 400 pounds!

DO NOT attempt to drive with the Receiver Hitch Swivel Hoist installed in the vehicle's receiver hitch! The hoist is designed for use on a stationary vehicle.

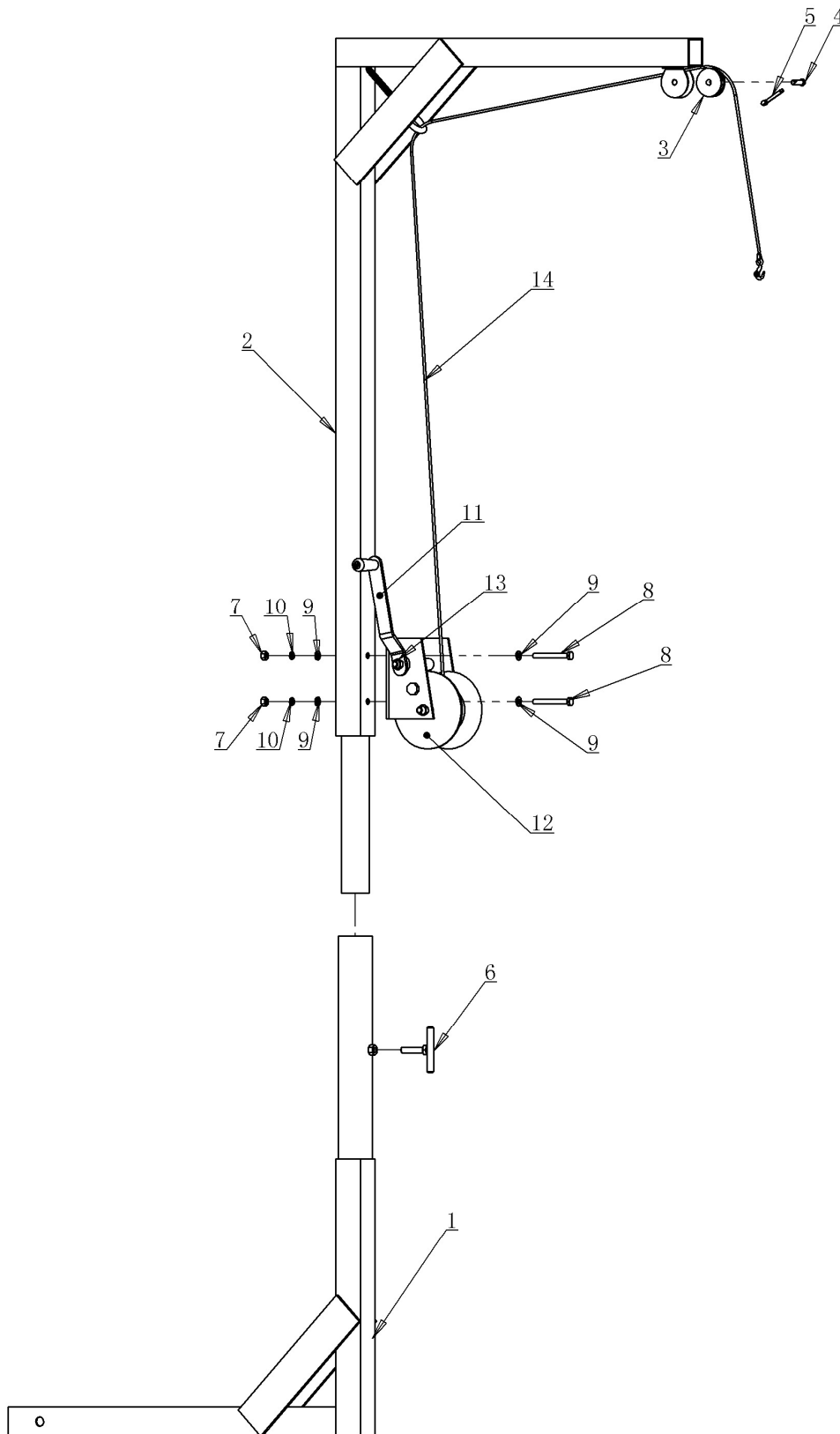
DO NOT use this product under the influence of alcohol, medication (prescription or non-prescription), or any illegal substance.

NEVER let children play or use this product. This product is not a toy.

ASSEMBLY INSTRUCTIONS

1. DO NOT attempt to assemble and install this Receiver Hitch Swivel Hoist before reading and understanding this entire manual.
2. Examine the shipping box for damage.
2. Unpack all components and place on a clean surface.
3. Using the parts list on page 7, verify that all components are present.
4. NOTE: the hoist handle is reversed to prevent damage during shipping.
5. Remove the hex nut that secures the handle, reverse handle, then replace and tighten the hex nut.
6. Insert the lower tower section into the vehicle's receiver hitch.
7. Remove the T-Bolt from the lower tower section.
8. Insert the upper tower section into the lower tower section.
9. Replace the T-Bolt. Tightening this bolt will secure the upper tower section in any desired position. Loosening the T-Bolt will allow the upper tower section to turn or swivel.
10. NOTE: always secure the upper tower section by tightening the T-bolt when raising or lowering a load, or when field dressing a game animal!
11. To extend or retract the cable, just turn the hoist handle.
12. NOTE: the hoist is equipped with an automatic brake. There are no levers to manipulate in order to switch from raising a load to lowering a load. When extending the cable without a load attached, it might be necessary to apply downward pressure on the cable.
13. The Receiver Hitch Swivel Hoist is designed to operate with your truck tailgate open or closed. A hole is present in the lower tower section to allow inserting a hitch pin (not supplied) to secure the hoist to the receiver hitch.
14. This Receiver Hitch Swivel Hoist is designed to be used on a STATIONARY VEHICLE!
15. DO NOT attempt to drive with the Receiver Hitch Swivel Hoist installed!
16. NOTE: Working with a heavy load or moving the vehicle without a hitch pin installed securing the hoist could result in the hoist moving and damaging the vehicle!

ASSEMBLY DIAGRAM



PARTS LIST

ITEM	PART #	DESCRIPTION	QTY
1	HE071-1100	LOWER TOWER SECTION	1
2	HE071-1210	UPPER TOWER SECTION	1
3	HE071-1201	CABLE PULLEY	1
4	51080302B	8MM X 30MM PULLEY SHAFT	1
5	50030202W	3MM X 20MM SPLIT PIN	1
6	HE071-1300	M10 T-BOLT	1
7	40100002W	M10 HEX NUT	2
8	10100705W	M10 X 70MM HEX-HEAD-BOLT, GRADE 8.8	2
9	30100002W	M10 FLAT WASHER	4
10	32100002W	M10 LOCK WASHER	2
11	91046000W-1	HANDLE ASSEMBLY	1
12	91046000W-2	WINCH ASSEMBLY	1
13	91046000W-3	M12 HEX NUT	1
14	91046000W-4	CABLE / HOOK ASSEMBLY	1
	02-RH0001-MAN	SAFETY AND INSTRUCTION MANUAL	1

LIMITED WARRANTY POLICY

Limited Warranty Periods

- **Hunting Equipment:** 1 Year (12 months) from the date of purchase.
- **Trailer Products:** 1 Year (12 months) from the original date of purchase.
- **Hydraulic Cylinders, Rams, Hose Assemblies, and Fittings:** 2 Years (24 months) from the date of purchase.
- **Sub-component Items:** Many sub-component items are warranted separately by the respective manufactures and are covered by warranty of their manufacturer. Examples of such items may include safety harnesses and tie-down systems, wheels, tires, axles, bearings, lights, straps, chain, hardware and like items. The sub-components original manufactures product warranty supersedes and takes precedence over this limited warranty policy.

NOTE: ALL WARRANTY CLAIMS MUST BE PREAPPROVED BY THE MANUFACTURER (THE COMPANY) TO BE VALID.

Products are warranted to be free of defects in materials and/or workmanship for the warranty period. Under this limited warranty, the Company shall be limited to repairing or replacing, at its option, for the warranty period, those parts returned to the factory, freight prepaid, which in the opinion of the Company shall prove to be defective in materials or workmanship, under normal use and service. This warranty will not apply unless the product is installed, used and maintained in accordance with the Manufacturers installation, operation and maintenance instructions.

This warranty applies to the **ORIGINAL** purchaser only, and is non-transferable. The Company warrants the products to be free of defects in material and workmanship but, does not cover normal maintenance or adjustments, damage or malfunction caused by: improper handling, installation, abuse, misuse, negligence, carelessness of operation or normal wear and tear. In addition, this warranty does not cover equipment when repairs or alterations have been made or attempted without the express written consent of the company. Product repairs not covered by the warranty, and product updates, will be provided at the prevailing rate.

The Company is not responsible for damage caused by accident, negligence, abuse, overloading, misapplication, or misuse of the products. It is solely the purchaser's responsibility to determine the suitability of these products for the particular application. **Limitations:** All other obligations or liabilities, including incidental or consequential damages or contingent liabilities arising out of the failure of any parts to operate properly are hereby excluded, including but not limited to any damages resulting from loss of use, inconvenience, loss of time, commercial loss, or any other type of damages general or specific, foreseen or unforeseen, unless applicable state law provides otherwise.

THIS WARRANTY IS EXCLUSIVE AND IS LIEU OF ALL OTHER WARRANTIES EXPRESSED OR IMPLIED INCLUDING ANY IMPLIED WARRANTY OR MERCHANTABILITY OR ANY IMPLIED WARRANTY OF FITNESS FROM A PARTICULAR PURPOSE, AND ALL SUCH IMPLIED WARRANTIES ARE EXPRESSLY EXCLUDED.

THE REMEDIES DESCRIBED ARE EXCLUSIVE AND IN NO EVENT SHALL THE COMPANY, NOR ANY SALES AGENT OR OTHER COMPANIES AFFILIATED WITH IT OR THEM, BE LIABLE FOR SPECIAL CONSEQUENTIAL OR INCIDENTAL DAMAGES FOR THE BREACH OF OR DELAY IN PERFORMANCE OF THIS WARRANTY. THIS INCLUDES, BUT IS NOT LIMITED TO, LOSS OF PROFIT, RENTAL OR SUBSTITUTE EQUIPMENT OR OTHER COMMERCIAL LOSS.

This warranty shall be governed by the laws of the State of Texas, and shall be subject to the exclusive jurisdiction of the Court in the State of Texas in the County of Tarrant.

RETURNS: Products may not be returned without written approval (Return Material Authorization) from the Company.