



INSTRUCTION MANUAL

600 POUND CAPACITY - TRAILER DOLLY

(Model # 02-TRLDLM-001)

GENERAL SAFETY RULES

WARNING: Read and fully understand all of the instructions and warnings prior to using this product. Your safety is most important. Failure to comply with procedures and safeguards may result in serious injury or personal property damage.

REMEMBER: Your personal safety is your responsibility. The warnings, cautions, and instructions discussed in this manual cannot cover all possible conditions or situations that occur. It must be understood by the operator that common sense and caution are factors which cannot be built into this product, but must be supplied by the operator. Read and understand this manual before using the Trailer Dolly.

- 1) Check that all bolts and nuts are tight before each use.
- 2) Lubricate the wheels periodically.
- 3) **DO NOT OVERLOAD** the Trailer Dolly! The maximum load limit is **600 pounds**. This is for the Trailer Dolly alone, and does not include the load supported by the trailer wheels.
- 4) **Always** wear ANSI-approved safety goggles when working with tools and equipment.
- 5) **Always** keep arms, feet, and legs, etc. out from under the trailer tongue while hitching. Children should never be allowed to play with the Trailer Dolly and always be kept at a safe distance.
- 6) **DO NOT** use the Trailer Dolly for anything other than its intended purpose.
- 7) **Always** make sure that the loaded trailer is blocked properly while the Trailer Dolly is being moved into place.
- 8) Make sure that the trailer tongue is securely connected to the trailer dolly coupler ball before attempting to move the trailer.
- 9) Take precautions to prevent uncontrolled movement of the trailer once it is connected to the Trailer Dolly. Remember, the slope of a roadbed surface is difficult to judge, and the pull of gravity can result in a dangerously out of control trailer.
- 10) If the Trailer Dolly is being connected to a trailer which is being stored over a lengthy period of time, make sure both the trailer and Trailer Dolly are blocked properly.
- 11) Keep the Trailer Dolly clean and free of road dirt. Inspect the trailer before each use to make sure all parts are securely in place and in working order. Periodically lubricate moving parts.

For prompt replacement of any missing or damaged parts, please call Direct Outdoor Products at: 877-284-9005 (reference model # 02-TRLDLM-001)

DIRECT OUTDOOR PRODUCTS
11500 South Pipeline Road
Ft. Worth, TX 76040
Phone: 1-877-284-9005



Revision A: 05172011

ASSEMBLY INSTRUCTIONS

NOTE: First assemble all parts **FINGER TIGHT**, then tighten all parts with a wrench when assembly is complete. Use the Assembly Drawing and Parts List on the next page as a guide.

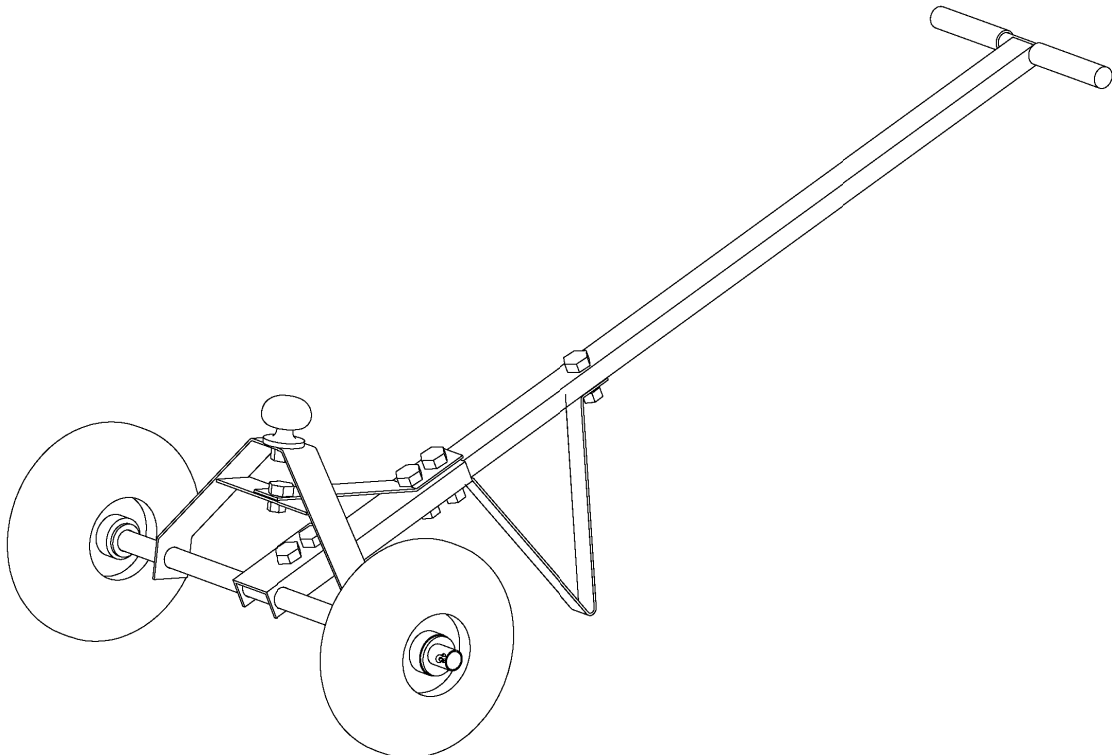
- 1) Attach the **Handle C-Channel (#2)** to the **Wheel Axle Weldment (#5)**. Secure with two **M10 x 20mm Hex Head Bolts** and **M10 Hex Nuts**
- 2) Attach the **Handle C-Channel Gusset (#3)**, **Handle Weldment (#4)**, and **V-Bracket (#1)** to the **Handle C-Channel**. Secure with two **M10 x 50mm Hex Head Bolts** and **M10 Hex Nuts**.
- 3) Secure the opposite end of the **V-Bracket** to the **Handle Weldment** with an **M10 x 50mm Hex Head Bolt** and **M10 Hex Nut**.
- 4) Attach the opposite end of the **Handle C-Channel Gusset** to the **Wheel Axle Weldment** with an **M10 x 25mm Hex Head Bolt** and **M10 Hex Nut**.
- 5) Install the **Hitch Ball (#6)** and secure with an **M20 Lock Washer** and **3/4-10Hex Nut**.
- 6) Install the two **Pneumatic Wheels** and two **24mm Flat Washers**. Secure with two **3mm x 50mm Cotter Pins**.
- 7) **Tighten all bolts and nuts with the appropriate wrench!**

SAVE THESE INSTRUCTIONS!

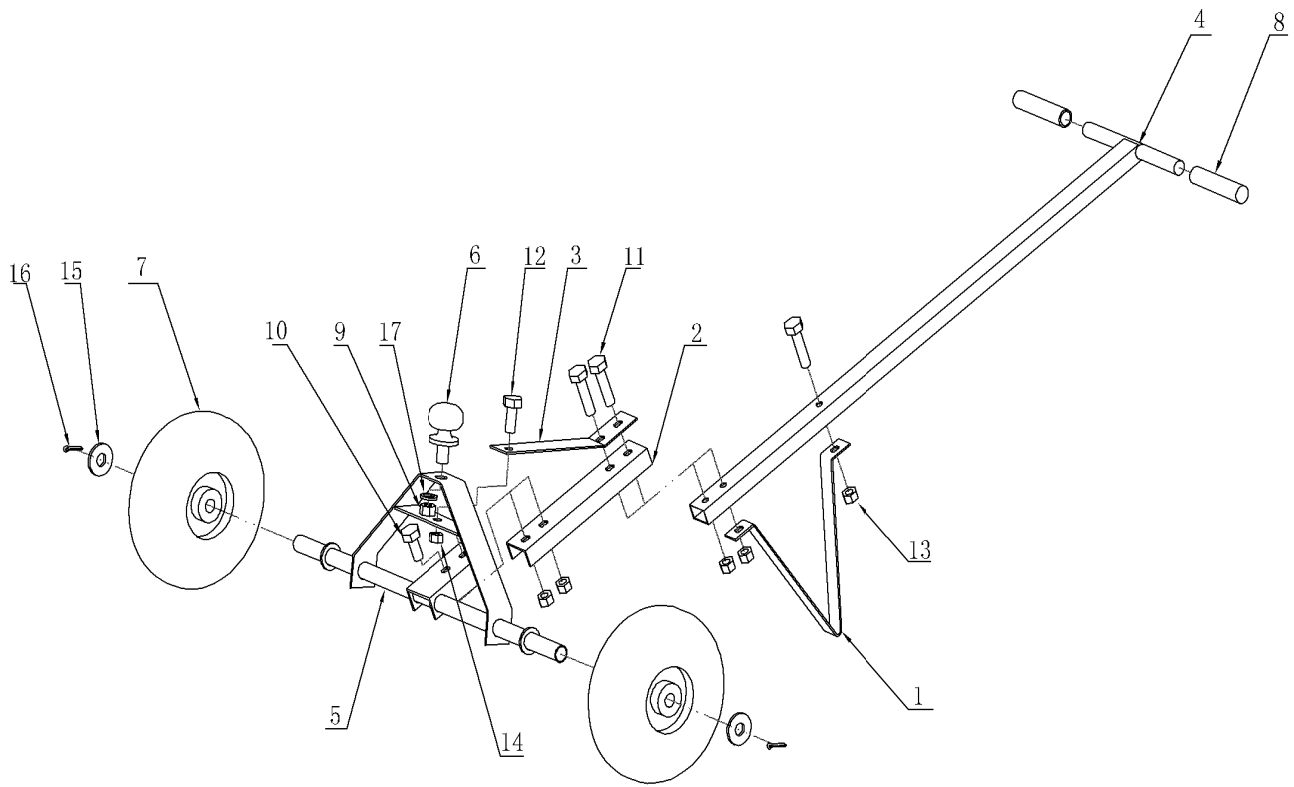
Read and fully understand all instructions and warnings prior to using this product!

Your safety is most important!

Failure to comply with procedures and safeguards may result in serious injury or property damage!



ASSEMBLY DRAWING



02-TRLDLM-001 PARTS LIST			
Item	Part#	Description	Qty
1	MK003-3001	V-BRACKET	1
2	MK003-3002	HANDLE C-CHANNEL	1
3	MK003-3003	HANDLE C-CHANNEL GUSSET	1
4	MK003-3100	HANDLE WELDMENT	1
5	MK003-3200	WHEEL AXLE WELDMENT	1
6	91783415W	HITCH BALL, 1-7/8" BALL x 3/4"-10 x 1.5" SHANK	1
7	91245752B	PNEUMATIC WHEEL	2
8	92221002B	HANDLE GRIP, $\phi 22 \times 100\text{mm}$	2
9	91340102W	HEX NUT, 3/4"-10	1
10	10100202W	HEX BOLT, M10 x 20mm	2
11	10100502W	HEX BOLT, M10 x 50mm	3
12	10120252W	HEX BOLT, M12 x 25mm	1
13	41100002W	HEX NUT, M10	5
14	41120002W	HEX NUT, M12	1
15	30240002W	FLAT WASHER, $\phi 24\text{mm}$	2
16	50030502W	COTTER PIN, $\phi 3 \times 50\text{mm}$	2
17	32200002W	LOCK WASHER, $\phi 20\text{mm}$	1

LIMITED WARRANTY POLICY

Limited Warranty Periods

- **Hunting Equipment:** 1 Year (12 months) from the date of purchase.
- **Trailer Products:** 1 Year (12 months) from the original date of purchase.
- **Hydraulic Cylinders, Rams, Hose Assemblies, and Fittings:** 2 Years (24 months) from the date of purchase.
- **Sub-component Items:** Many sub-component items are warranted separately by the respective manufactures and are covered by warranty of their manufacturer. Examples of such items may include safety harnesses and tie-down systems, wheels, tires, axles, bearings, lights, straps, chain, hardware and like items. The sub-components original manufactures product warranty supersedes and takes precedence over this limited warranty policy.

NOTE: ALL WARRANTY CLAIMS MUST BE PREAPPROVED BY THE MANUFACTURER (THE COMPANY) TO BE VALID.

Products are warranted to be free of defects in materials and/or workmanship for the warranty period. Under this limited warranty, the Company shall be limited to repairing or replacing, at its option, for the warranty period, those parts returned to the factory, freight prepaid, which in the opinion of the Company shall prove to be defective in materials or workmanship, under normal use and service. This warranty will not apply unless the product is installed, used and maintained in accordance with the Manufacturers installation, operation and maintenance instructions.

This warranty applies to the **ORIGINAL** purchaser only, and is non-transferable. The Company warrants the products to be free of defects in material and workmanship but, does not cover normal maintenance or adjustments, damage or malfunction caused by: improper handling, installation, abuse, misuse, negligence, carelessness of operation or normal wear and tear. In addition, this warranty does not cover equipment when repairs or alterations have been made or attempted without the express written consent of the company. Product repairs not covered by the warranty, and product updates, will be provided at the prevailing rate.

The Company is not responsible for damage caused by accident, negligence, abuse, overloading, misapplication, or misuse of the products. It is solely the purchaser's responsibility to determine the suitability of these products for the particular application. **Limitations:** All other obligations or liabilities, including incidental or consequential damages or contingent liabilities arising out of the failure of any parts to operate properly are hereby excluded, including but not limited to any damages resulting from loss of use, inconvenience, loss of time, commercial loss, or any other type of damages general or specific, foreseen or unforeseen, unless applicable state law provides otherwise.

THIS WARRANTY IS EXCLUSIVE AND IS LIEU OF ALL OTHER WARRANTIES EXPRESSED OR IMPLIED INCLUDING ANY IMPLIED WARRANTY OR MERCHANTABILITY OR ANY IMPLIED WARRANTY OF FITNESS FROM A PARTICULAR PURPOSE, AND ALL SUCH IMPLIED WARRANTIES ARE EXPRESSLY EXCLUDED.

THE REMEDIES DESCRIBED ARE EXCLUSIVE AND IN NO EVENT SHALL THE COMPANY, NOR ANY SALES AGENT OR OTHER COMPANIES AFFILIATED WITH IT OR THEM, BE LIABLE FOR SPECIAL CONSEQUENTIAL OR INCIDENTAL DAMAGES FOR THE BREACH OF OR DELAY IN PERFORMANCE OF THIS WARRANTY. THIS INCLUDES, BUT IS NOT LIMITED TO, LOSS OF PROFIT, RENTAL OR SUBSTITUTE EQUIPMENT OR OTHER COMMERCIAL LOSS.

This warranty shall be governed by the laws of the State of Texas, and shall be subject to the exclusive jurisdiction of the Court in the State of Texas in the County of Tarrant.

RETURNS: Products may not be returned without written approval (Return Material Authorization) from the Company.

Direct Outdoor Products, Drop Tail Trailers, United Hydraulics, LLC

Rev04152008

